



Engine Starting Systems

Document: Data Sheet
Version: 3
Status: actual
Author: bs **Date:** 06-11-10
Approved: rs **Date:** 06-11-10
File: PC

CME Hydraulic Starting Motor Data Sheet

HUGLI
 HUEGLI TECH LTD
 SWITZERLAND
 Tel.: +41-62-916 50 30
 Fax: +41-62-916 50 35
 www.huegli-tech.com

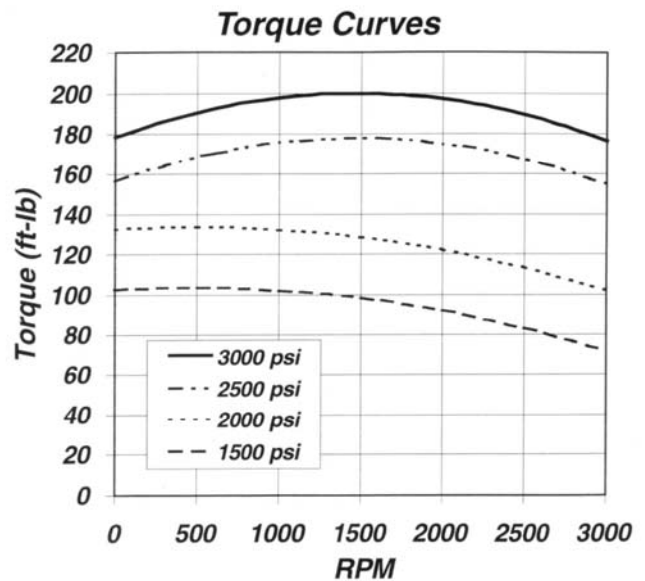


Product Specification

The CME hydraulic starter is the latest addition to the Kocsis Tech family of hydrotors. With the introduction of the CME model, Kocsis Tech can offer heavy duty starting capabilities for a new range of engines. The CME delivers 200 ft-lb (271 N-m) of starting torque along with the advantages of Kocsis Tech hydraulic starting: fully lubricated starter, unlimited starting attempts with hand pump installation, effective cold weather starting, spark proof starting, flexible modular design, instant torque availability, and Kocsis Tech quality. Please contact Kocsis Tech or a Kocsis Tech distributor for details regarding your starting needs.

General Information

Motor Housing Aluminum
 Pinion Housing Ductile Iron
 Displacement 5.88 in³/ rev (96 cm³/rev)
 Speed Range 0-3000 RPM
 Drive Type Inertia
 Maximum Working Pressure 3000 psi (207 bar)
 Rotation (Viewing from drive end) ... CW-standard
 Duty Cycle Intermittent
 Overall Volumetric Efficiency 92%
 Maximum Torque 200 ft-lb (271 N-m)
 Weight 46 lbs (21 kg)



Model Information

Model	Flange	Nr. of teeth	Pitch	Pinion o.d.	Press. angle
CME 5A 111	SAE#3	12/12	6/8	2.25" 57,15mm	20°
CME 5A 141	SAE#3	11	6/8	2.25" 57.15mm	20°



Engine Starting Systems

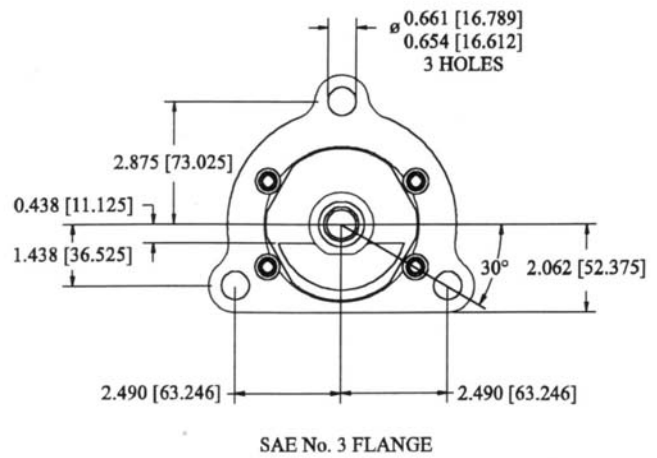
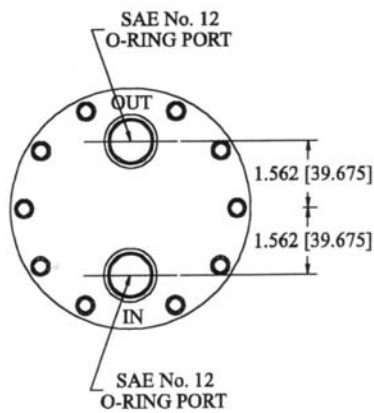
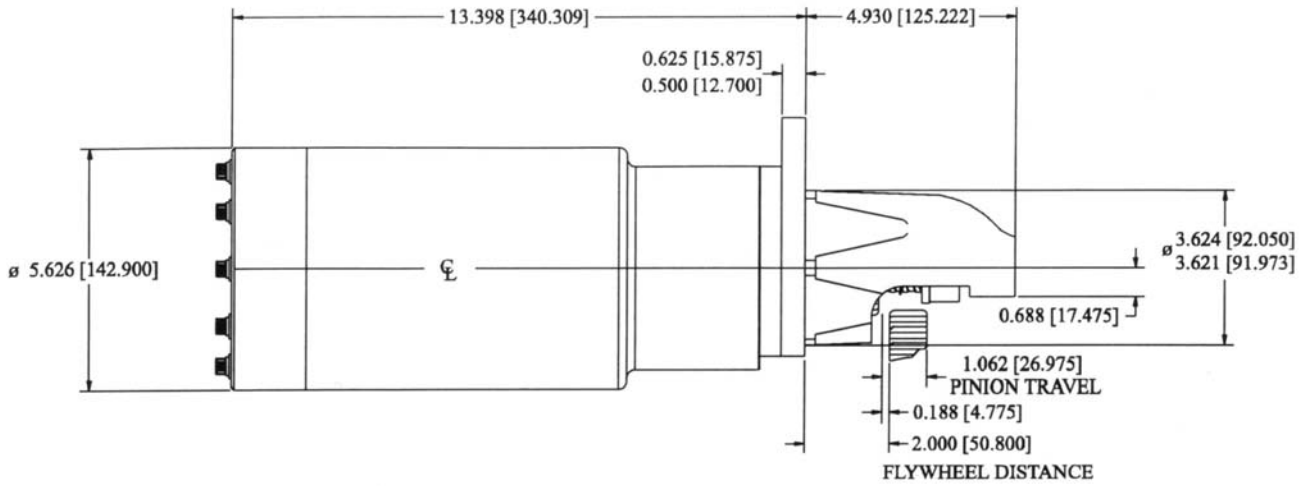
Document: Data Sheet
Version: 3
Status: actual
Author: bs Date: 06-11-10
Approved: rs Date: 06-11-10
File: PC

CME Hydraulic Starting Motor Data Sheet



HUEGLI TECH LTD
SWITZERLAND
Tel.: +41-62-916 50 30
Fax: +41-62-916 50 35
www.huegli-tech.com

Dimensions





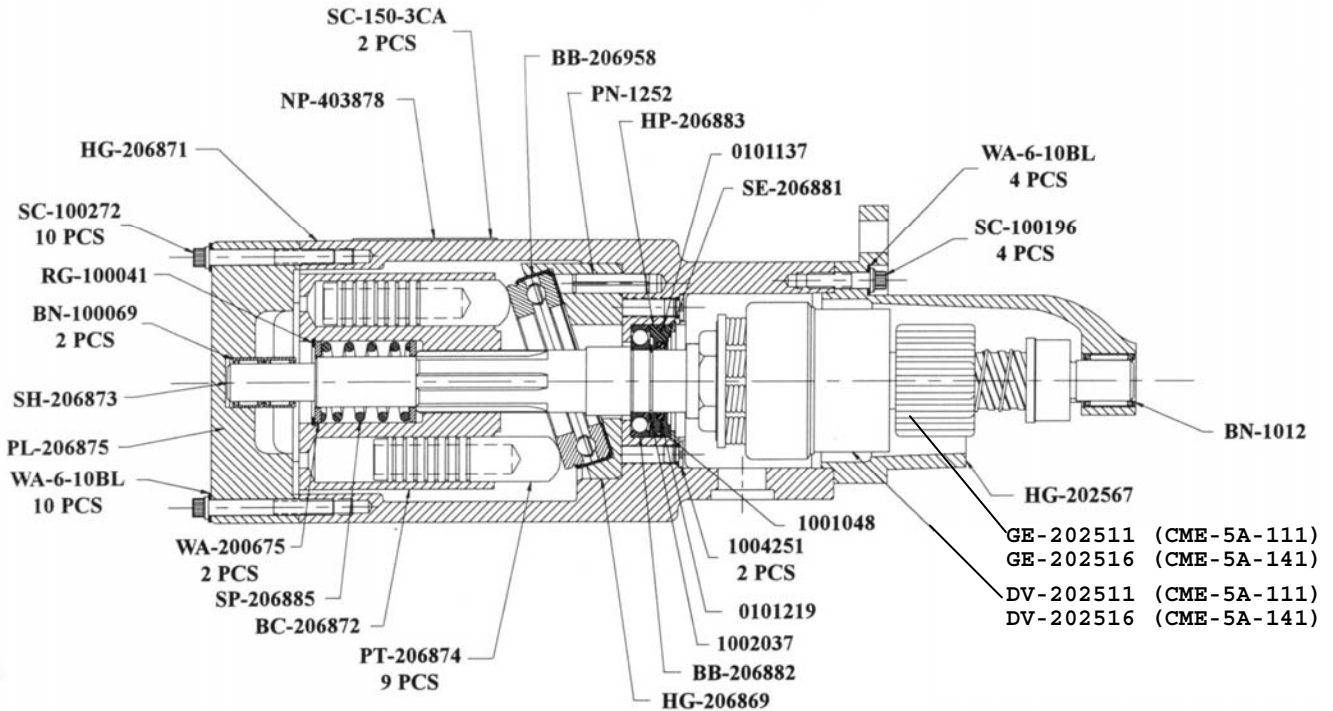
Engine Starting Systems

Document: Data Sheet
Version: 3
Status: actual
Author: bs **Date:** 06-11-10
Approved: rs **Date:** 06-11-10
File: PC

CME Hydraulic Starting Motor Data Sheet

HUGLI
 HUEGLI TECH LTD
 SWITZERLAND
 Tel.: +41-62-916 50 30
 Fax. +41-62-916 50 35
 www.huegli-tech.com

Spare Parts





*Note that two Woodruff keys (KY-4-6) are not illustrated above.
 These parts are located on the drive shaft.*

Please reference the CME-5A service instructions for a detailed description regarding the proper disassembly, inspection, and testing procedures.

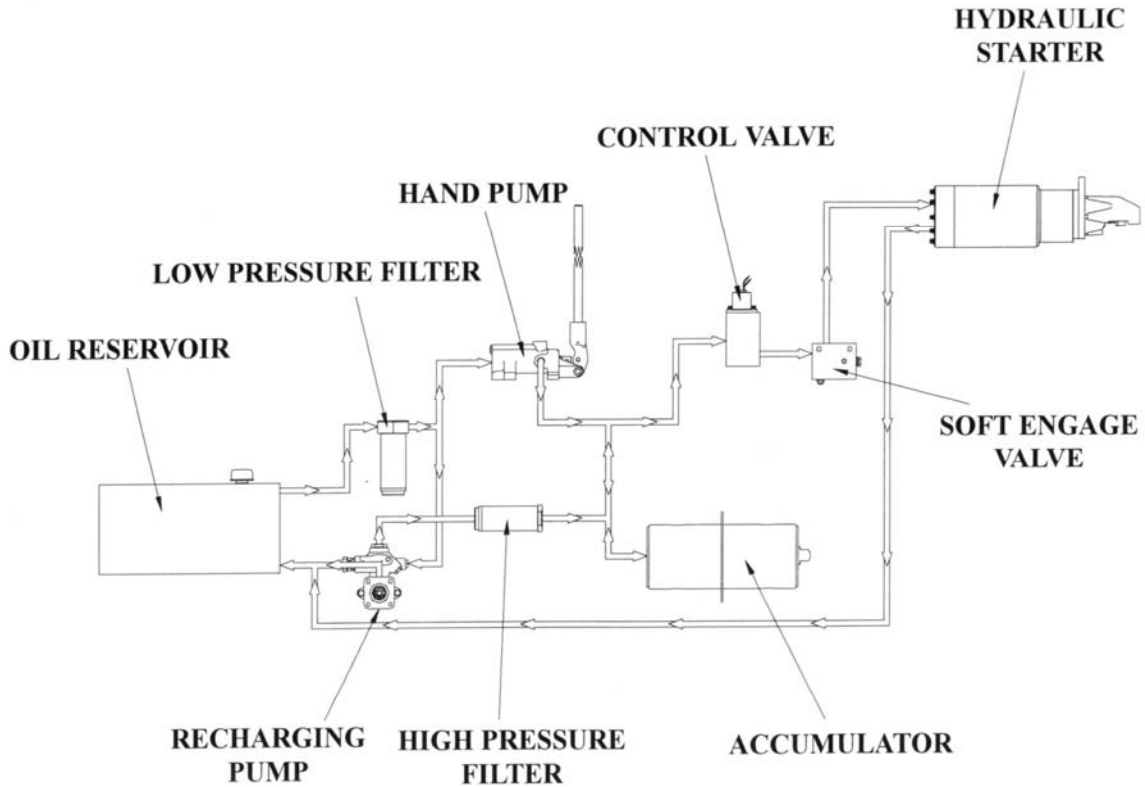
Part Number	Description
BB-206958	thrust bearing
SC-150-3CA	nameplate screws
NP-403878	nameplate
HG-206871	motor housing
SC-100272	screws
RG-100041	retaining ring
BN-100069	needle bearings
SH-206873	shaft
PL-206875	port plate
WA-6-10BL	washers

Part Number	Description
WA-200675	washers
SP-206885	spring
BC-206872	barrel
PT-206874	pistons
HG-206869	bearing housing
BB-206882	ball bearing
1002037	retaining ring
0101219	o-ring
1004251	plugs
1001048	retaining ring

Part Number	Description
see above	drive
HG-202567	flange housing
BN-1012	needle bearing
SC-100196	screws
WA-6-10BL	washers
SE-206881	shaft seal
0101137	o-ring
HP-206883	holding piece
PN-1252	pin
KY-4-6	keys

 <p>Engine Starting Systems</p>	<p>Document: Data Sheet Version: 3 Status: actual Author: bs Date: 06-11-10 Approved: rs Date: 06-11-10 File: PC</p>	<p>CME Hydraulic Starting Motor Data Sheet</p>	 <p>HUEGLI TECH LTD SWITZERLAND Tel.: +41-62-916 50 30 Fax: +41-62-916 50 35 www.huegli-tech.com</p>
--	---	---	---

Application Sample



Component Overview

Hydraulic Starter: A positive displacement hydraulic motor which provides the required starting torque.

Accumulator: Piston type accumulator which stores pressurized hydraulic fluid necessary to drive the hydraulic starter.

Soft Engage Valve: A hydraulic valve which ensures a smooth engagement between the hydraulic starter and the engine flywheel.

Control Valve: A hydraulic valve which initiates the engine starting. Various types of valves are available.

Hand Pump: Hydraulic pump which recharges the hydraulic circuit. This component can provide emergency recharging.

Filter: This component keeps the hydraulic fluid free of contamination.

Oil Reservoir: Tank that stores the hydraulic fluid for the system.

Recharging Pump: An engine driven pump used to recharge the accumulator for subsequent starting attempts.

Hydraulic Starting Circuit

