

Dipl.-Ing. Herwarth Reich GmbH

TOK

Highly flexible couplings
for flexibly mounted engines



Your drive is our strength. Your strength is our drive.



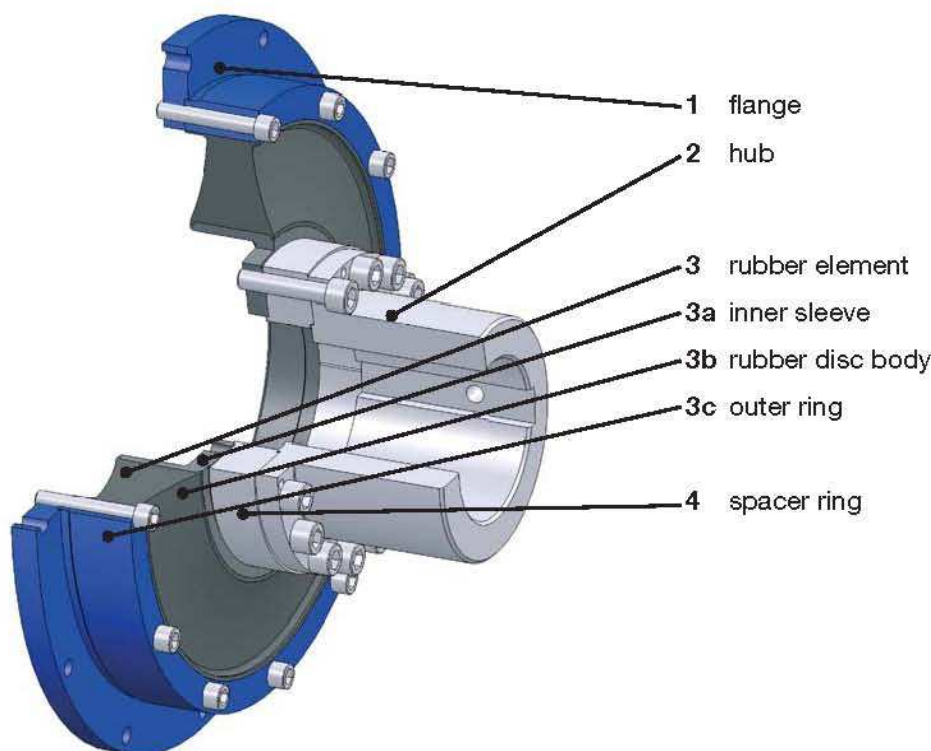
TOK – highly flexible couplings for flexibly mounted engines

The highly flexible TOK coupling is specifically designed for applications requiring extremely low torsional stiffnesses. It is furthermore particularly well suited for the compensation of radial, angular and axial displacements of flexibly mounted engines. The broad range of flexible coupling elements and adaptive designs provides standard solutions for a wide variety of different tasks, and these can be complemented by specific customised designs on request.

Types and sizes

The flexible element is designed to combine high torque transmission capacity and high misalignment capacity with high speed capability. Its stiffness is easily adaptable to the requirements by selecting just the right rubber quality. The adaptive designs are based on the standard flywheel connection dimensions according to SAE J620. The TOK coupling series comprises coupling sizes for a torque range from approx. 1000 Nm up to 86000 Nm.

The extremely low torsional stiffness allows for a safe overcritical layout of the coupling. During start and stop, the resonance range is quickly passed through, and an excellent isolation between the combustion engine and the driven machine is achieved over the operating speed range. The TOK coupling enables direct connection between the engine and the driven machine and is capable of compensating for the displacements resulting from the flexible mounting without requiring any additional components. Most versions even allow for radial dismantling. Restoring forces remain within the permissible limits and do not affect the high misalignment capacity. A distinct reduction in the mounting effort is also achieved.



Design and function

The highly flexible, torsionally optimised TOK couplings are specifically laid out for use in flexibly mounted engine applications. Accordingly, both the coupling flange 1 and the coupling hub 2 of the standard types are matched to the standard engine and shaft connection dimensions.

Radial, axial and angular misalignments are compensated for by a flexible element. The highly flexible coupling element 3 is designed as a rubber-metal bond between the inner sleeve 3a, the rubber disc body 3b and the outer ring 3c. For many applications, flange 1 and outer ring 3c are integrated in one single component. An alternatively available, divided spacer ring 4 enables radial dismantling of the coupling without having to remove the two connected components.

When a torque acts on the engine side of the coupling, the torsional flexibility of the rubber disc body enables relative twisting against the driven machine. Torsional vibrations of the engine are thus efficiently isolated.

Besides the standard types, a lot of custom-specific solutions can be realised with the TOK coupling system.

Advantages of the TOK coupling

- Direct connection to SAE J620 flywheels; adaptation to other flywheels on request
- Compensation of axial, radial and angular misalignments
- Variable mounting lengths
- Backlash-free and maintenance-free
- Increased torque transmission capacity by the use of 2 elements
- Suited for highest speeds
- Optionally light weights by the use of high-strength aluminium

Technical details

Coupling size	Nominal torque T_{KN} [Nm]	Maximum torque T_{Kmax} [Nm]	cont. vibratory torque ²⁾ T_{KW} [Nm]	Dynamische ¹⁾ Drehfedersteife $C_{T\ dyn}$ [Nm/rad]	Weight m [kg]	Moment of inertia		Maximum speed n_{max} [min ⁻¹]	Maximum permissible misalignment ³⁾ continuously/ short time		
						J_1 [kgm ²]	J_2 [kgm ²]		Radial	Axial	angular
									ΔKr [mm]	ΔKa [mm]	ΔKw [°]
TOK 270 F2.10	1500	4500	480	5500	13.1	0.20	0.02	5000	2/5	2.5/7	0.6/2
TOK 305 F2.11,5	2800	8400	870	12000	17.4	0.32	0.06	4400	2/5	2.5/7	0.6/2
TOK 410 F2.14	5000	15000	1530	15000	36.6	1.34	0.11	3300	3/8	5/14	0.6/2
TOK 510 F2.18	7500	22500	2300	27000	50.2	2.47	0.40	2600	3/8	5/14	0.6/2
TOK 605 F2.21	18000	54000	5400	75000	88.5	6.28	0.94	2200	3/8	5/14	0.6/2
TOK 605 F2D	36000	108000	10800	150000	177	12.6	1.9	2200	3/8	5/14	0.2/0.5
TOK 700 F2.21	30000	90000	9000	120000	202.5	11.2	4.8	1900	4/12	6/18	0.6/2
TOK 835 F2.920	43000	129000	12900	180000	213.0	25.9	5.85	1600	6/18	7/20	0.6/2
TOK 835 F2D	86000	258000	25800	360000	426	51.8	11.8	1600	6/18	7/20	0.2/0.5

Tab. 1 Technical details

¹⁾ Standard rubber element version, relative damping $\psi = 0.5$; alternative versions on request.

²⁾ Continuous vibratory torque $\pm T_{KW}$ at $f = 10$ Hz; for other frequencies f_x apply $T_{KW} \cdot \sqrt{\frac{10}{f_x}}$

³⁾ Details referred to 1500 rpm. Values for other speeds on request.
Recommendation: For mounting, align to max. 20% ΔK for each direction of misalignment
The sum of all ΔK portions shall not exceed 100% in service

Coupling size selection

Layout and selection of the coupling size for use on combustion engines are subject to torsional vibration aspects. A general safety factor of $S = 1.3 - 1.5$ should be applied for TOK couplings for a preliminary selection according to the engine torque T_{AN} .

The following requirements should be satisfied for proper selection of the coupling size:

1. The **nominal torque capacity** T_{KN} of the coupling should be at least equal to the max. engine torque T_{AN} at any operating temperature whilst taking into account the temperature factor S_t .
2. Calculation of the nominal engine torque T_{AN} ;
3. The temperature factor S_t allows for a decreasing load carrying capability of the coupling due to elevated ambient temperatures
4. The **maximum torque capacity** T_{Kmax} of the coupling should be at least equal to the maximum torque T_{max} occurring in service and at any operating temperature whilst taking into account the temperature factor S_t .
5. The permissible **continuous vibratory torque** T_{KW} of the coupling should be at least equal to the maximum vibratory torque T_{W} occurring in the operating speed range whilst taking into account the temperature and frequency. The frequency factor S_f allows for the frequency dependence of the permissible continuous vibratory torque $T_{KW(10\text{ Hz})}$ for other frequencies f_x .

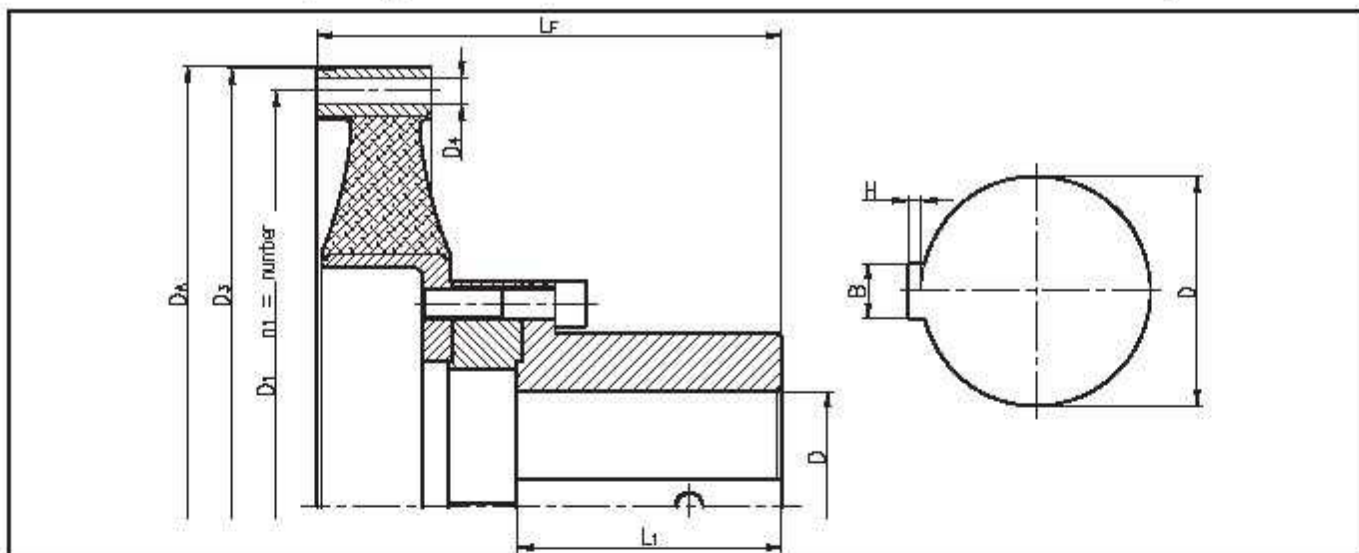
$T_{KN} \geq T_{AN} \cdot S_t$				
$T_{AN}[\text{Nm}] = 9550 \cdot \frac{P[\text{kW}]}{n[\text{rpm}]}$				
	60°C	70°C	80°C	>80°C
S_t	1,25	1,4	1,6	auf Anfrage
$T_{Kmax} \geq T_{max} \cdot S_t$				
$T_{KW(10\text{ Hz})} \geq T_W \cdot S_t \cdot S_f$				
$S_f = \sqrt{\frac{f_x}{10}}$				

The coupling selection should be verified for the permissible coupling load by a torsional vibration analysis, which we will conduct on request. When using TOK couplings in engines with large torque absorption fluctuations of the driven machine, an additional safety factor should be applied.

Take care not to continuously operate the system at resonance frequency to avoid damage to the coupling and the aggregates.

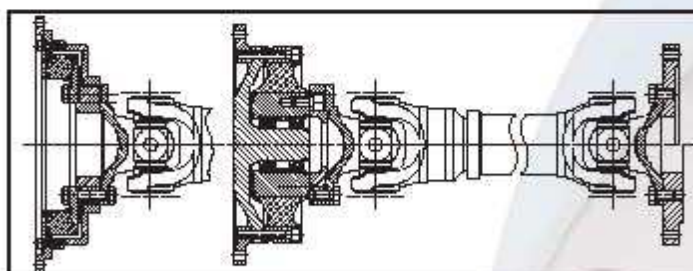
Further information on the torsional vibration analysis and the operation of the highly flexible TOK coupling is available on request.

Details for coupling selection and torsional vibration analysis



Engine type				Connection dimensions (acc. to above sketch)			
Description	Symbol	Unit	Value	Description	Symbol	Unit	Value
Power	P	[kW]		Outer dia.	D_A	[mm]	
max. speed	n_{max}	[rpm]		pitch circle dia.	D_1	[mm]	
Idle speed	n_{idle}	[rpm]		Number	n_1	[mm]	
Torque nominal	T	[Nm]		bore dia.	D_3	[mm]	
Maximum from engine	T_{EN}	[Nm]		Hole dia.	D_4	[mm]	
Maximum in operation	T_{max}	[Nm]		Mounting length	L_F	[mm]	
Inline / V (Angle xx°)	RN/xx°	-		Hub bore dia.	D	[mm]	
Number of cylinders	z	-		Hub length	L_1	[mm]	
Engine harmonic main order	i	-		Keyway Height	H	[mm]	
Firing order z_1, z_2, \dots, z_n				Width	B	[mm]	
Total displacement volume	V_H	[ccm]		expected shaft displacement			
Moments of inertia (engine + flywheel)	J_{enghe}	[kgm ²]		axial	K_a	[mm]	
Type of driven side				radial	K_r	[mm]	
Moment of inertia *)	J_{output}	[kgm ²]		angular	K_w	[°]	

Tab. 2 Details for coupling selection and torsional vibration analysis *) to be reduced for gear ratio to engine side



TOK couplings for flexible mounting are preferably intended for use as a direct connection between the aggregates. When it comes to bridging large distances between the combustion engine and the driven machine, the TOK coupling can also be equipped with a internal bearing of its own and a cardan shaft. Alternatively, AC-VSK cardan shaft couplings are available for such applications; ask for our separate catalogue for technical specifications.

Dipl.-Ing. Herwarth Reich GmbH

Postfach 10 20 66 • D-44720 Bochum
Vierhausstr. 53 • D-44807 Bochum

Tel.: +49 (0)234 9 59 16 - 0
Fax: +49 (0)234 9 59 16 - 16
E-Mail: mail@reich-kupplungen.de
Internet: http://www.reich-kupplungen.de

Proprietary notice pursuant to ISO 16016 to be observed:

The reproduction, distribution and utilisation of this document as well as the communication of its contents to others without explicit authorisation is prohibited. Offenders will be held liable for the payment of damages. All rights reserved in the event of the grant of a patent, utility model or design.
© REICH-KUPPLUNGEN

April 2009 Edition: This TOK edition supersedes all previous catalogues of this coupling type for flexibly mounted engines. All dimensions in millimetres. We reserve the right to change dimensions and / or design details without prior notice.